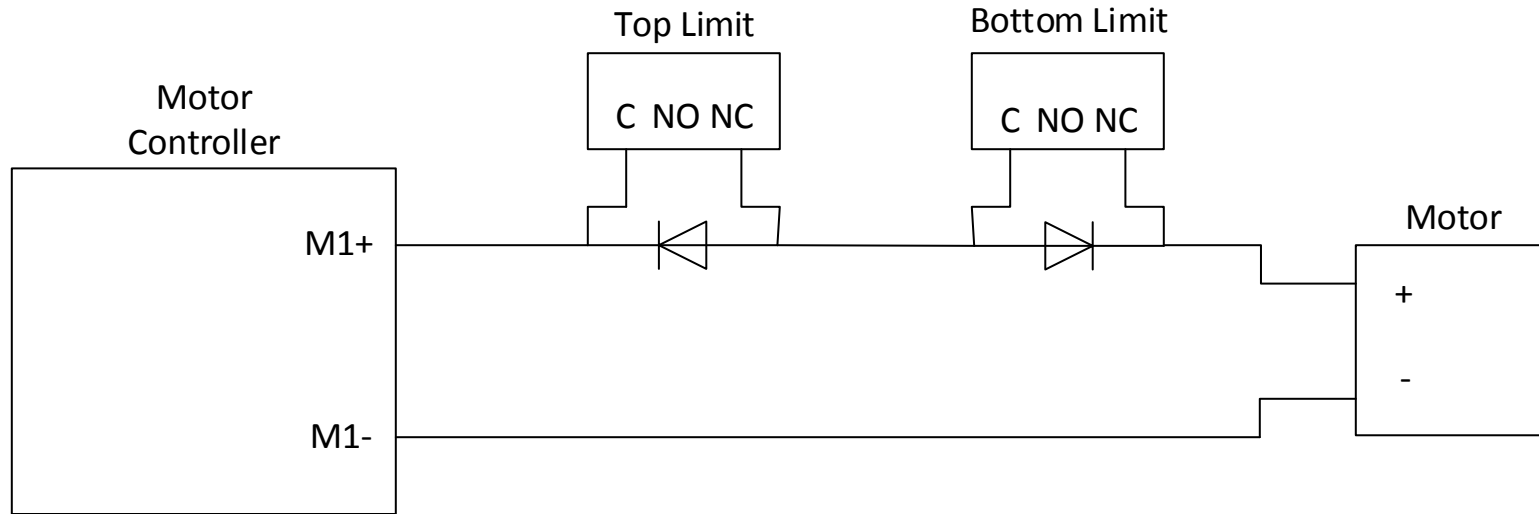


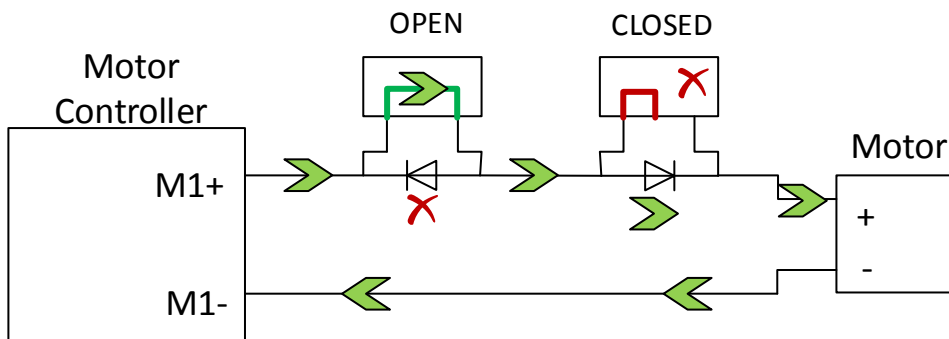


Using a Gear Motor Like a Linear Actuator

© SuperDroid Robots
www.SuperDroidRobots.com

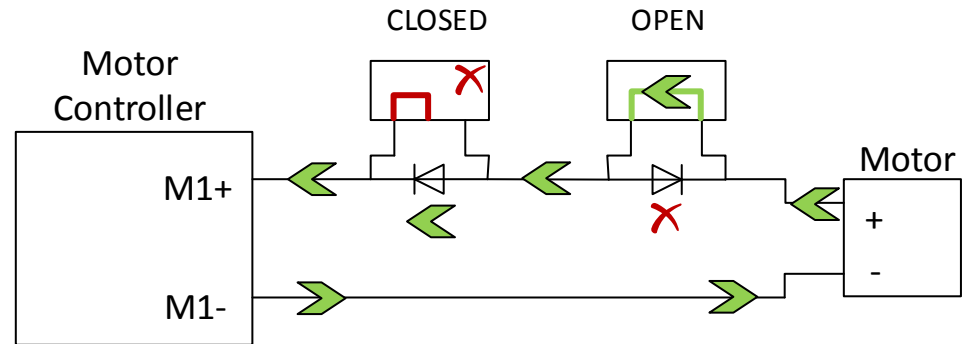


Bottom Limit Tripped



Motor can only move UP

Top Limit Tripped



Motor can only move DOWN